

24hrs. Working Around the Clock

Ensuring Safe Work Environment

LEDG Solar BIG

Reduced CO2 Emission and Eco-friendly Mechanism



Specifications are subject to change without prior notice



Comes with a remote control



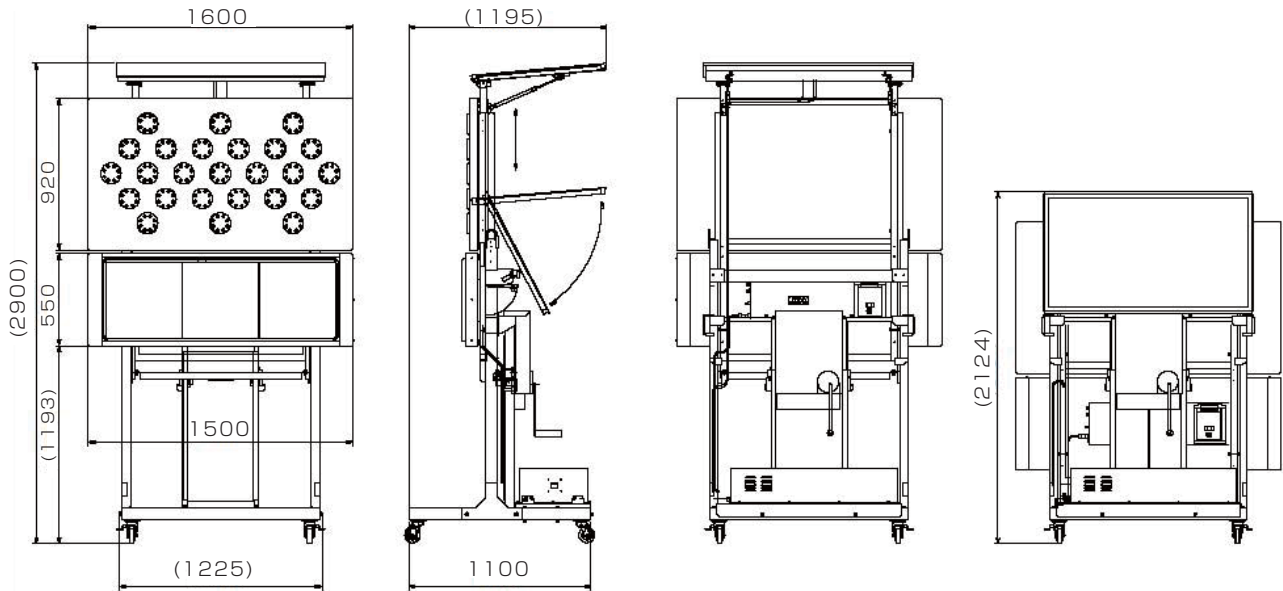
- Edit text from an infrared-capable mobile phone (Patent pending)
- Edit text from your computer
- Large top light for improved vision
- Shows up to 4 contents per display pattern; 2 memory slots
- 99 types of display content, with animation
- Easy operation with buttons and switches
- The fold-and-go solar panel is easy to store or move around
- Runs over 6 days without sunlight

Text Editing from Mobile Phone



Available with an infrared-capable mobile phone only

Text Editing from Computer



Item	Specification
Product Name	LEDG Solar BIG
Power Source	Solar panel / Battery / AC100V
LED Screen Size (Width x Height in millimeters)	1380 x 460
Color	Extra high-luminance colors
Display Content	Select up to 4 contents out of 99 for a single display pattern. 2 memory slots are available.
Unit Size with Solar Panel (Width x Height x Depth in millimeters)	Max. Height 1600 x 2900 x 1100 Normal Height 1600 x 2124 x 1100
Light Control	Automatic day-night switchover or manual switchover
Top Light	Can display up to 12 patterns with extra high-luminance orange LED
Data Entry	By infrared-capable mobile phone or computer
Weight	200 kg
Display Case	Baking finish (the stand component is galvanized)
Structure	Waterproof structure, suitable for outdoor use
Battery Life	Fully charged, enough to power the unit for 144 consecutive hours (vary depending on the display)
Power Consumption	20W (vary depending on the display)
Functional Temperature Range	-10°C to 45 °C (no condensation)
Other Notes	Height adjustment is performed with a safe winch that ensures smooth and tight winding. A customized unit is available for areas with cold weather.